



Super bright Epistar COB LED is used for SPT Series LED Flood Light to provide most efficient lighting possible.

## Features

- ◆ Save electricity bill. Best choice for replacing HPS/metal halide lamps. Save over 60% on electricity bill of lighting.
- ◆ Maintenance Free. Extremely long life. Save labor cost to replace bulbs with short lifespan.
- ◆ Fixtures come with a yoke-style arm can be positioned in almost any angle and a variety of application settings.
- ◆ Tempered Glass. Safe and extremely high light transmittance.
- ◆ Eco-Friendly. No lead or mercury, no UV or IR Radiation.

## Replacement Table

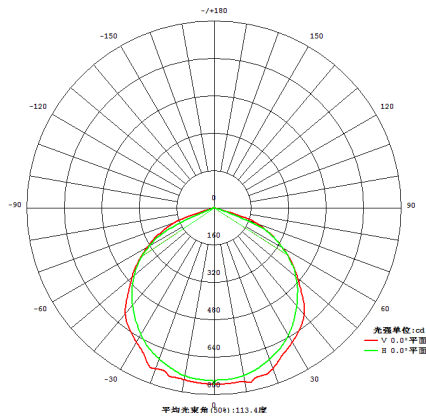
| LED Flood Light | Metal Halide | CFL  |
|-----------------|--------------|------|
| 70W             | 150W         | 100W |
| 100W            | 250W         | 150W |

## Application

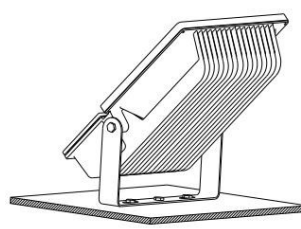


- \* Building Accent Lighting
- \* Landscape Lighting
- \* Security Lighting
- \* Parking Lot Lighting
- \* Area Lighting
- \* Storage Area Lighting
- \* Sign Lighting

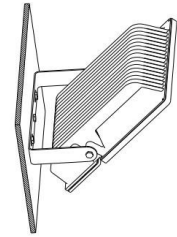
## Light Distribution Curve



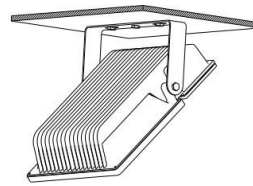
## Installation



Ground Mount



Wall Mount

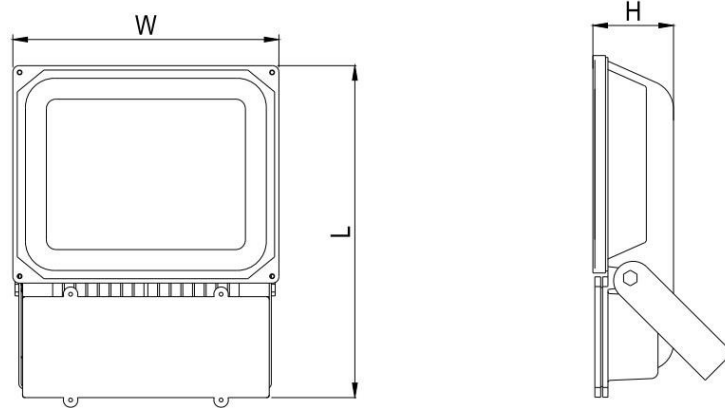


Ceiling Mount

## Specs Data Sheet

| SKU              | WQF-FG70W03    | WQF-FG100W03  |
|------------------|----------------|---------------|
| Power            | 70W            | 100W          |
| Lumen            | 5600 lm        | 8000 lm       |
| Power factor     | >0.90          | >0.90         |
| Input voltage    | 85-265 VAC     | 85-265 VAC    |
| LED driver brand | Normal driver  | Normal driver |
| CCT              | 2700K ~ 7000K  |               |
| CRI              | Ra>70          |               |
| Luminous effi-   | 80 lm/w        |               |
| LED brand        | Epistar COB    |               |
| Housing color    | Silver ; Black |               |
| IP grade         | IP65           |               |
| Beam angle       | 120° ; 60°     |               |
| Material         | Aluminum       |               |
| Working tempera- | -30°C ~ +45°C  |               |
| Lifespan         | 50000 Hours    |               |
| Warranty         | 3 Year         |               |

## Product Dimension



| SKU         | WQF-FG70W03    | WQF-FG100W03   |
|-------------|----------------|----------------|
| Power       | 70W            | 100W           |
| Size: L*W*H | 290*370*120 mm | 300*360*110 mm |

## Product Packing

| SKU          | Power | PCS/CTN | Net Weight | Gross Weight | CBM   |
|--------------|-------|---------|------------|--------------|---|
| WQF-FG70W03  | 70W   | 2       | 5.8 KG     | 12.2 KG      | 400*300*255 mm $\approx$ 0.031 m <sup>3</sup> |
| WQF-FG100W03 | 100W  | 2       | 5.8 KG     | 12.2 KG      | 400*300*255 mm $\approx$ 0.031 m <sup>3</sup> |

## Precautions

---

### Installation:

Please read the installation instructions carefully before installation, and follow the prompts to strict specifications to operate

1. Make sure that power is turned off before installation to ensure safety.
2. By mounting holes on the mounting bracket product can be directly screwed to the mounting pole or wall mounting.
3. After fixing a good product, you can slightly loosen the screws on both sides of the bracket, and then convert the bracket to adjust the illumination angle of the lamp.
4. Working environment temperature  $-25\text{ }^{\circ}\text{C}$  ---  $+45\text{ }^{\circ}\text{C}$ . Humidity: 10% -90% RH.
5. Wiring joints, please do the installation of lighting waterproof seal 5. measures to prevent water and drain.
6. The non-dimming lighting fixtures, do not connect with any standard dimmer.
7. Please find a professional electrician to install, greeting connect wiring according to instructions on the label, make sure that a good grounding.

### Caution:

1. This product is LED lamps protection class IP65, it is not suitable for swimming pools or other underwater sites.
2. To ensure proper use, please do not change the LED lamp structure. Any adverse please contact the manufacturer sales staff.
3. Regular cleaning of the floodlight glass, in order to maintain good lighting translucent.
4. regularly floodlight housing and radiator dust cleaning, in order to maintain good heat dissipation.

### Packaging, transportation and storage requirements:

1. Product and packaging have corresponding clearly marked, do not mix mix;
2. Transport outside the box in strict accordance with the standard, sealing, taping, labeling paste (product name, quantity and other information);
3. Storage Requirements: Be careful not to drop the heavy beat and dumping, severe stress within the glass may shatter;
4. Storage period: 3 years after the deadline must be qualified after re-examining longer be used.