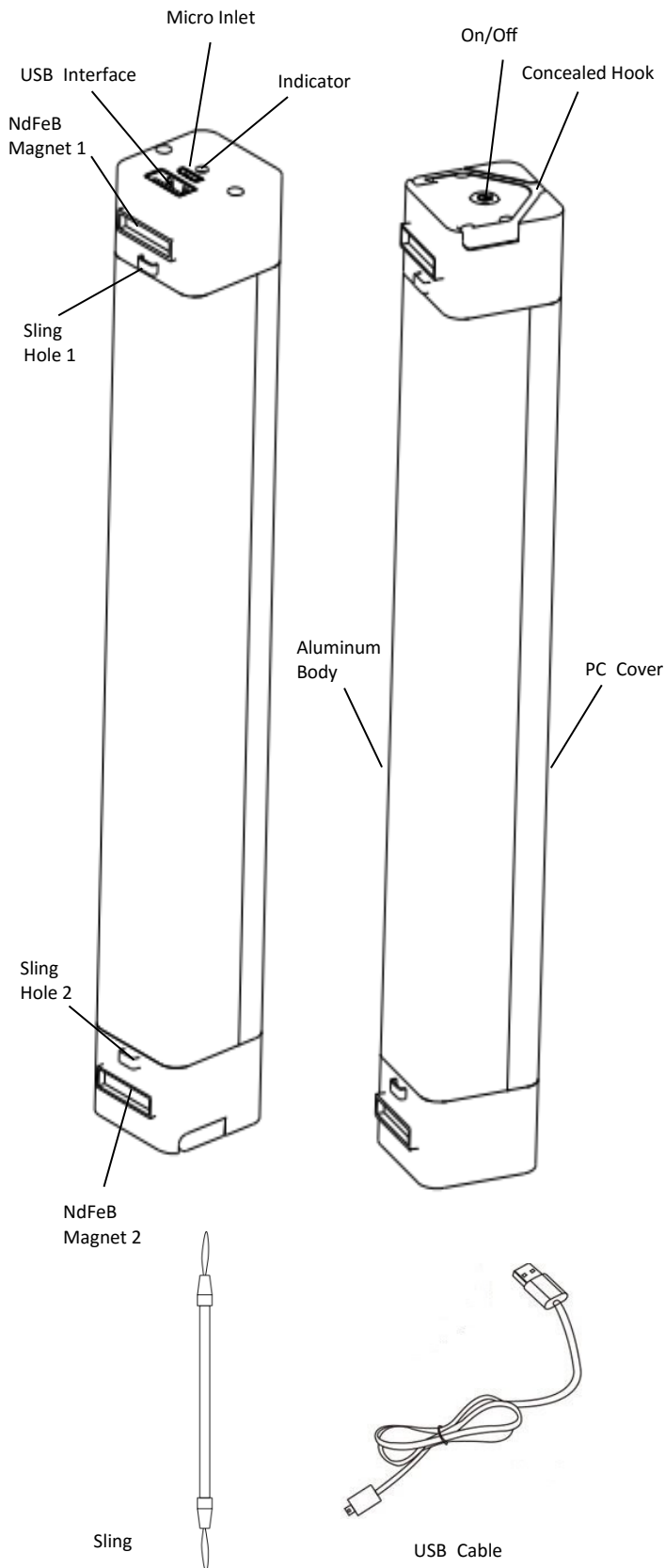


Structure:



Product Feature:

- MCU dimming function. Three-way switch button: strong light, dim light, SOS function.
- Equipped with concealed hook, NdFeB magnet&sling, applicable to a variety of installation.
- Super bright SMD2835 LEDs, soft light beam, no glare.
- Built-in 3.7V/4000mAh Lithium battery with 6Hrs working time.
- USB Micro DC inlet for lamp charging.
- Solar Panel is optional.
- USB output 5V 0.7A for cellphone charging.
- Smart driver inside, overvoltage & overcurrent IC protection to ensure safety.
- Aluminum+PC+ABS materials, compact&sturdy, stylish&elegant appearance.
- Our own mould, we have the patent for its design.

Application:

Emergency Lighting: study room, bedroom, dormitory.

Portable Lighting: camping, hiking, outdoor cycling, fishing.

Alert/Warning Lighting: road warning, SOS for help, automobile examining&repairing.



帐篷露营

户外徒步

户外骑行



跑步运动

警示照明

户外垂钓



检查设备

应急修车

夜晚外出



Product Size:



Parameters:

Brand	WQF	Working Time	6Hrs
Name	Multi-functional Portable LED Lamp	Input Voltage	DC5V
Model No.	QF-169A3	Power	8W
Size	32*32*320mm	Lumen	640lm
Color	Blue、White、Green	CCT	8000K
Switch	Three-way switch button	CRI	80Ra
LED (Chip)	75pcs SMD2835	Beam Angle	120°
Battery Capacity	4000mAh	Ambient Temp.	-40 — 45°
Battery Lifetime	Charging for 1000 times+	Warranty	1 year

Tips:

- When you use adapter or computer for the lamp charging, insert USB Micro inlet into the interface of lamp, it will show red indicator while charging, when the indicator turns green light, it indicates that the lamp is fully charged. Charging time need 6Hrs.
- Solar panel is optional, photovoltaic new energy, eco-friendly.
- To use the switch button, press it and modes in turn is: strong light, dim light, SOS, stop(off).
- Please remember to charge this lamp before using it for the first time, if it is not used for a long time, then it's necessary to charge&discharge every three months.
- Do not use it under hot, humid environment or to be exposed to the rain to avoid damage.
- Do not let your eyes close to the light beam, so as to avoid visual impairment.
- Please do not put this product close to the fire, high temperature may cause explosion & combustion.
- In the absence of professional and technical personnel, do not repair it or change the battery by yourself. Please return it to the manufacturer or find professionals for handling.

Accessories:

- LED Tube*1
- Sling*1
- USB Cable*1
- User Manual*1

Packing Information:

- Inner box: 35*35*370mm
- Carton size: 370*370*390mm 100pcs/CTN
- N.W.: 217g/pc
- G.W.: 22.6KG

Packaging:

