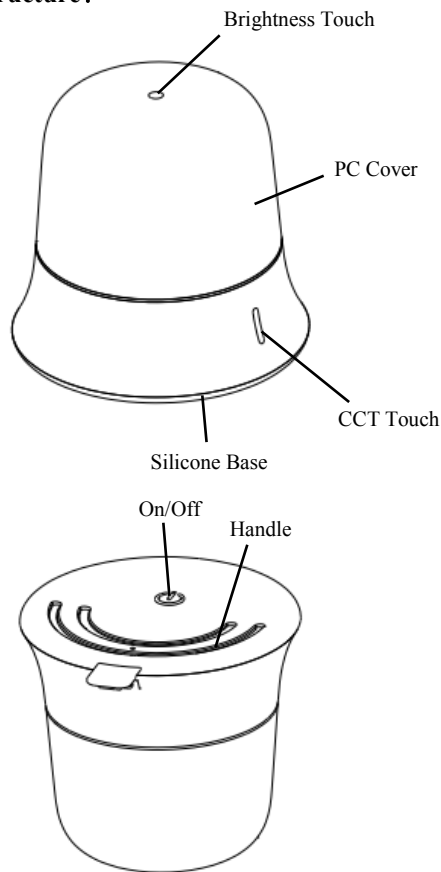


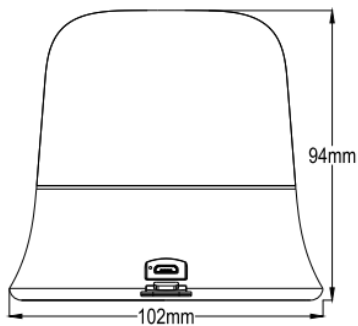


# LED Night Light QF-175

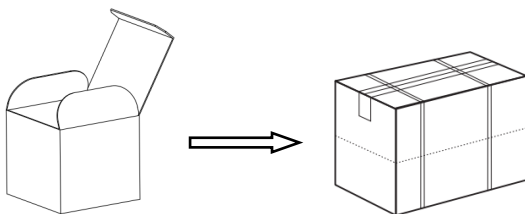
## Product Structure:



## Dimension:



## Packaging:



## Package Contains:

1. Night light\*1    2. USB cable\*1    3. User manual\*1



## Features:

- A household portable night light, IP65 rating for outdoor use as well.
- Smart non-polar touch to tone brightness and CCT, to meet a required comfort brightness and color temperature for a variety of environments.
- Lamp shade (PC cover) adopted secondary light diffusion, soft light beam, no glare.
- Memory function. When power off and restart, it will automatically memorize the previous brightness and color temperature.
- Lamp body can be placed firmly, anti-slip design for the silicone base.
- The bottom of the lamp body is equipped with a silicone handle for suspension and portable use.
- Built-in 2000mAh Lithium battery with 5~60 hours working time.
- Micro USB to charge the lamp, it takes about 3-4 hours.
- Innovative design, our own exclusive mould.

## Application:

Applicable to baby's room, children's room, bedroom, study room or other home lighting and outdoor camping lighting.

## Parameters:

Product Name	LED Night Light
Model No.	QF-175
Power	3W
Product Size	102*102*94mm
Battery Capacity	2000mAh
Working Time	5-60Hrs
Lumen	240lm
CCT	2700-5500K
Light Source	Epistar SMD2835
Input Voltage	DC5V/1A
Charge Time	4Hrs
Shell Color	White
Material	ABS+PC+Silicon rubber
Inner Box Size	105*105*100mm
G.W./Piece	250g
Master Carton Size	550*225*220mm
QTY/CTN	20pcs
G.W./CTN	5.3KG